



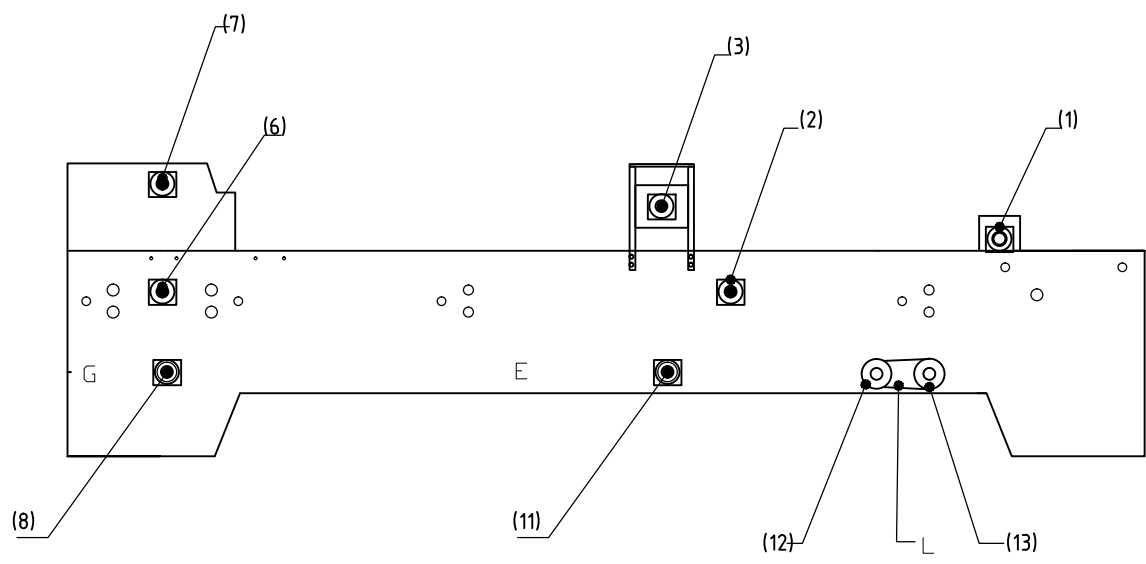
HOSON

Operation Manual

ZH- 1000 FT

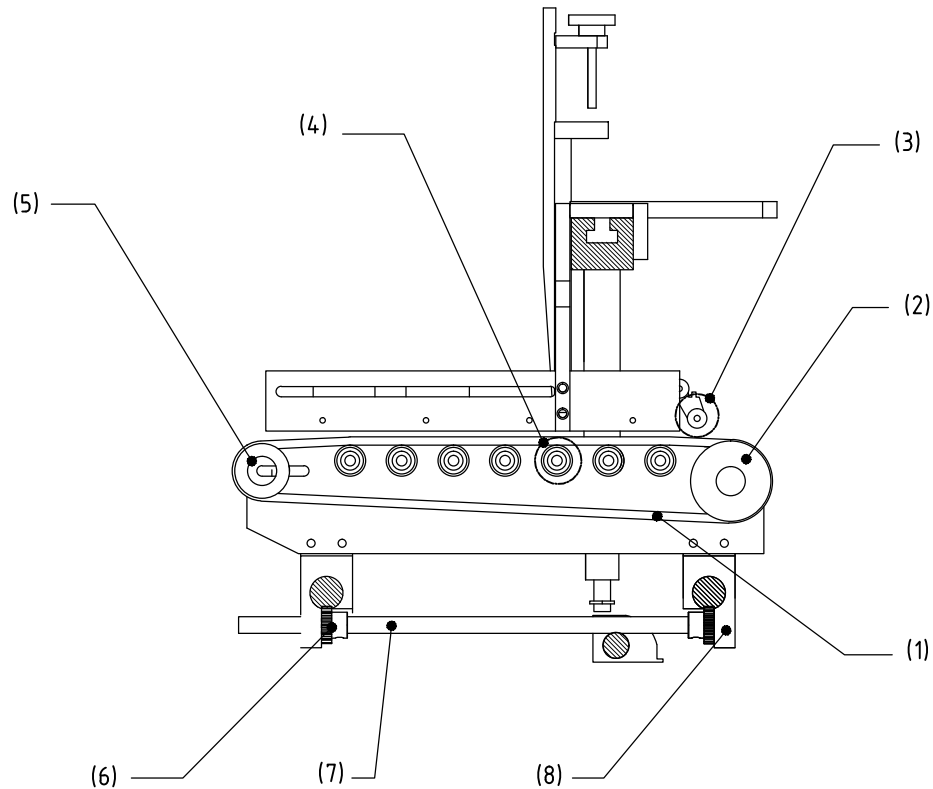
Efficiency & Performance
Specialized & Creditable

AUTOMATIC FOLDER GLUER MACHINE



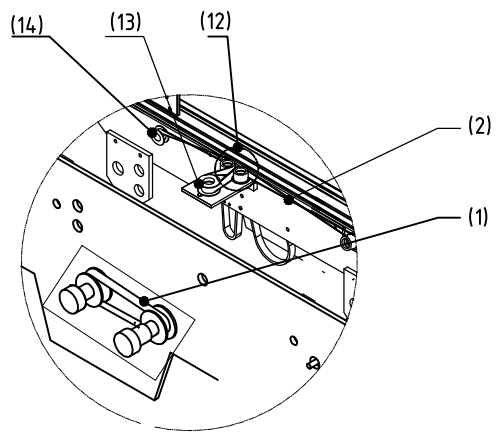
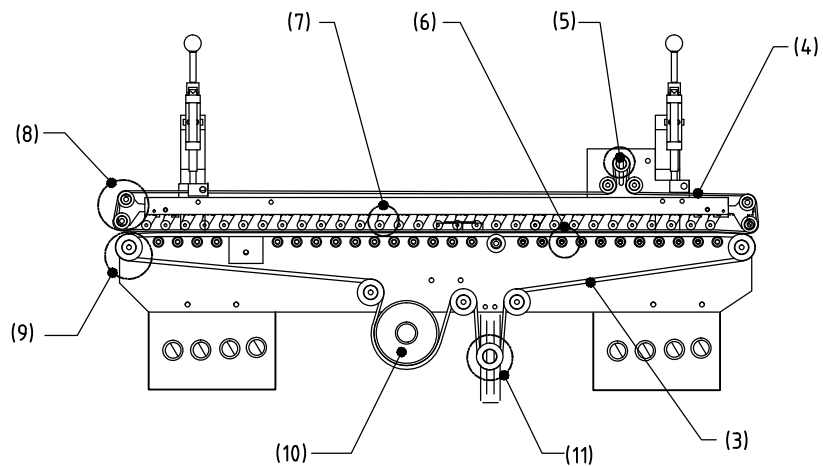
7	Bearings	2	FL205	
6	Bearings	2	FL205	
5	Bearings	2	FL205	

4	Bearings	2	6002	
3	Bearings	2	6005	
2	Bearings	2	FL204	
1	Bearings	2	FL204	
Preface number	Name	Quantity	Material specification	Remarks
Draw		Date		AUTOMATIC FOLDER GLUER MACHINE
Check figures		Date		
Shape department	Comparison	Weight	Total page	ZH1000FT-01
	1:20		Several page	



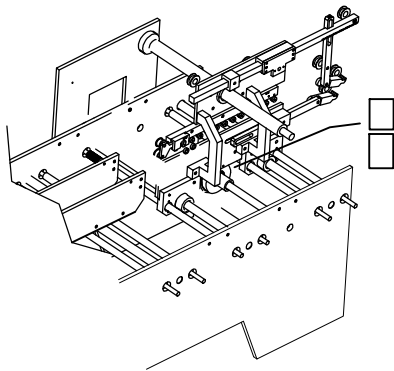
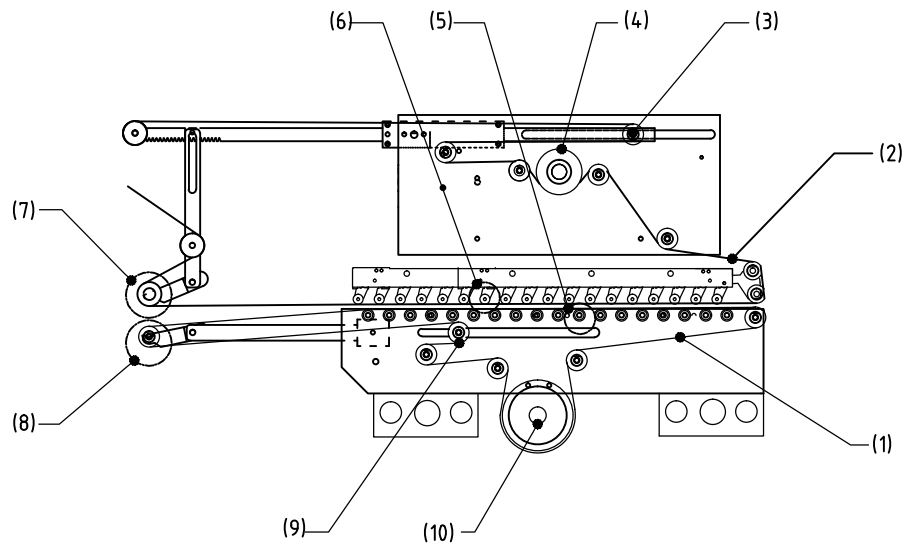
5-4	Inside card	6	Φ 32		
5-3	Screw	6	M10		
5-2	Bearings	6	6002RS		
5-1	Tense round	6			
5	Tense module	6			
4-4	Spring coil	8	GB97-96		
4-3	Even mat	16	内 Φ10×1.5		
4-2	Screw	8	m10		
4-1	Bearings	16	6200		
4	Paper round module	8			
3-3	Play mat	24	Φ0.9X5X31		
3-2	Screw	24	M5X22		
3-1	Bearings	48	626		
3	Paper round module	24			
2-3	Outside card	6	Φ 35		
2-2	Bearings	6	6907		
2-1	Deliver leather belt	6			
2	Spread move module	6			
1	Deliver leather belt	6	8X25X1000		
Preface number	Name	Quantity	Material specification	Remarks	
Draw		Date	AUTOMATIC FOLDER GLUER MACHINE		
Check figures		Date			
Paper feeding unit		Comparison 1:20	Weight	Total page Several page	ZH-1000FT-02

8	Connect piece	12		
7	Stalk	6		
6	Wheel gear	12		



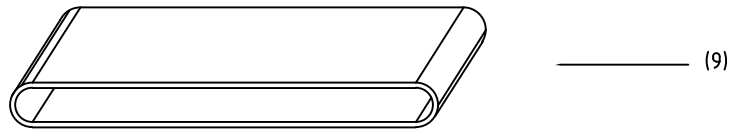
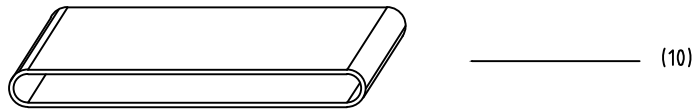
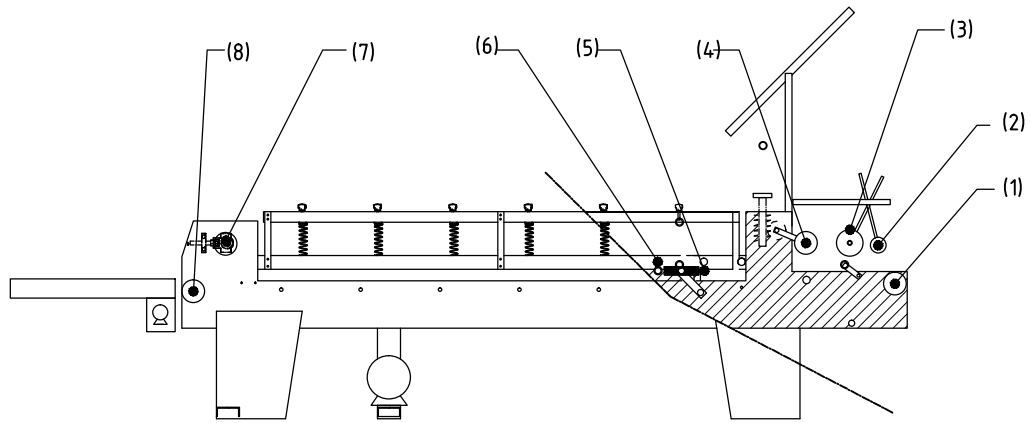
14-3	Inside card	8	Φ 26
14-2	Screw	8	M10
14-1	Bearings	8	6000
14	Synchronous take	8	
13-4	Inside card	3	Φ 15
13-3	Outside card	3	Φ 32
13-2	Screw	3	M12
13-1	Bearings	3	6002RS
13	Synchronous take	3	
12-3	Outside card	6	Φ 26
12-2	Screw	6	M10
12-1	Bearings	6	6000
12	Synchronous take	6	
11-5	Inside card	3	Φ 32
11-4	Outside card	3	Φ 15
11-3	Screw	3	M12
11-2	Bearings	6	6002RS
11-1	Wheel	3	
11	Synchronous take	3	
10-3	Outside card	3	Φ 68
10-2	Outside card	3	Φ 45
10-1	Bearings	3	6909Z
10	Synchronous take	3	
9-3	Play mat	10	Φ 22
9-2	Screw	10	m10
9-1	Bearings	20	6900
9	Synchronous take	10	

8-3	Inside card	12	Φ 19	
8-2	Screw	12		
8-1	Bearings	24	626	
8	Synchronous take	6		
7-4	Spring coil	N	Φ0. 9X5X31	
7-3	Even mat	N	内 Φ6×1. 5	
7-2	Iron pillar	N		
7-1	Bearings	N	626Z	
7	Synchronous take	N		
6-3	Play mat	N	GB97-96	
6-2	Bearings	N	M8X22	
6-1	Synchronous take	N	608Z	
6	Synchronous take	N		
5-4	Inside card	3	Φ 19	
5-3	Screw	3	M6	
5-2	Bearings	6	626	
5-1	Wheel	3		
5	Synchronous take	3		
4	Leather belt	3	3X25X3300	
3	Leather belt	3	4X23X3700	
2	Leather belt			
1	Synchronous take	1	1422V290	
Preface number	Name	Quantity	Material specification	Remarks
Draw		Date	AUTOMATIC FOLDER GLUER MACHINE	
Check figures		Date		
Pre-folding unit	Comparison	Weight	Total page	ZH-1000FT-03
			Several page	



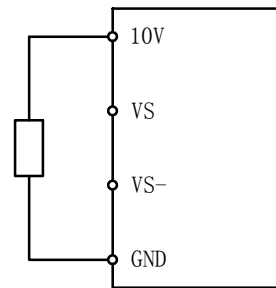
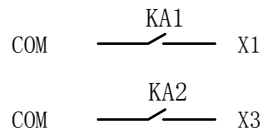
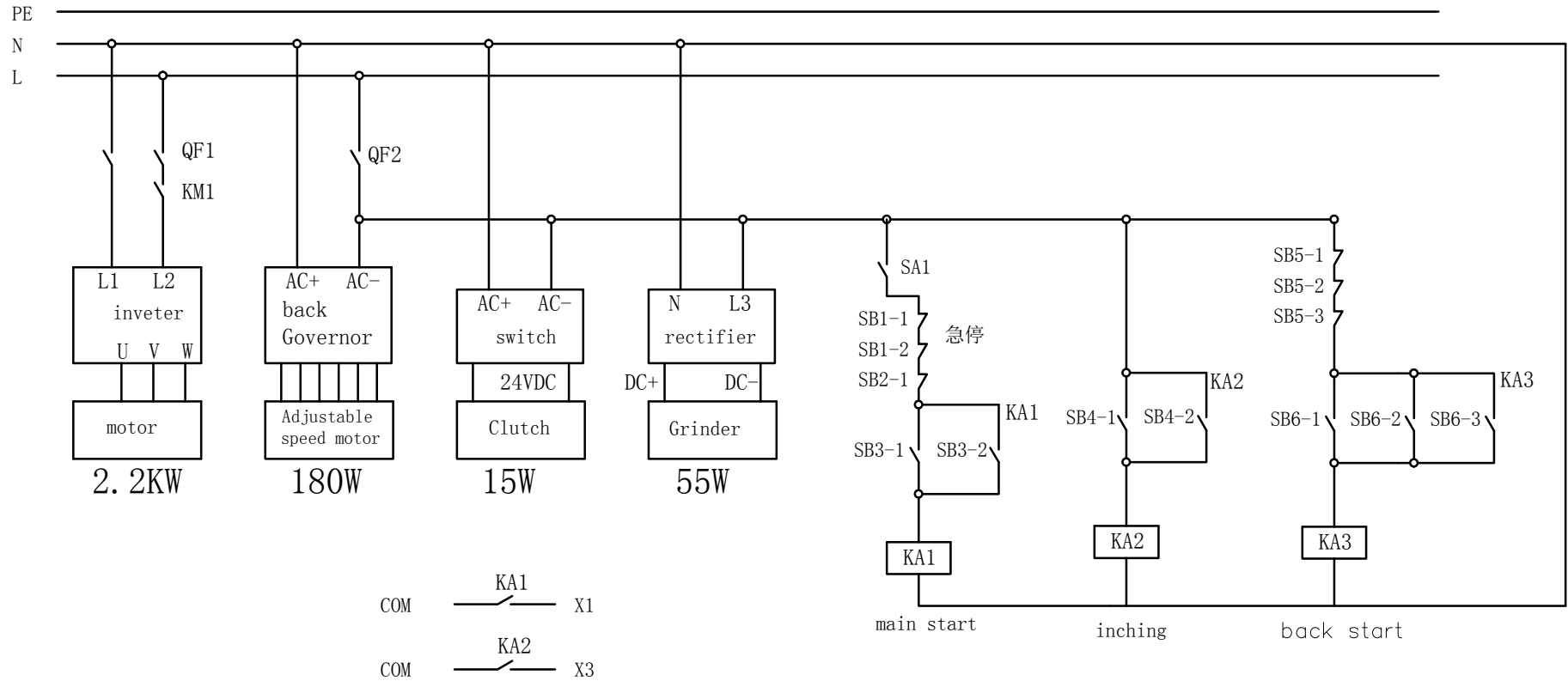
10-3	Inside card		Φ68
10-2	Outside card		Φ45
10-1	Bearings		6909
10	Synchronous take	2	
9-4	Inside card		Φ26
9-3	Outside card		Φ10
9-2	Screw		M10
9-1	Bearings		6000
9	Synchronous take	2	
8-3	Inside card		Φ22
8-2	Screw		M10
8-1	Bearings		6900
8	Wheel		

7-3	Inside card	2	Φ26	
7-2	Screw	2	M10	
7-1	Bearings	8	6000	
7	Synchronous take	2		
6-4	Spring coil	N	Φ0.9X5X31	
6-3	Even mat	N	内Φ6×1.5	
6-2	Iron pillar	N		
6-1	Bearings	N	626Z	
6	Synchronous take	N		
5-3	Play mat	N	GB97-96	
5-2	Screw	N	M8X22	
5-1	Bearings	N	608Z	
5	Synchronous take	N		
5-2	Inside card	2	Φ68	
5-1	Bearings	2	6909Z	
4	Synchronous take	2		
3-4	Inside card	2	Φ26	
3-3	Screw	2	M10	
3-2	Bearings	4	6000Z	
3-1	Wheel	2		
3	Synchronous take	2		
2	Leather belt	2	3X23X3100	
1	Leather belt	2	4X23X2480	
Preface number	Name	Quantity	Material specification	Remarks
Draw		Date	AUTOMATIC FOLDER GLUER MACHINE	
Check figures		Date		
Pressing unit	Comparison	Weight	Total page	ZH-1000FT-04
			Several page	



12	Sponge leather belt			
11	Leather belt	1		
10	Leather belt	1	3X500X3170	
9	Leather belt	1	3X500X3800	
8-1	Bearings	1		
8	Stalk	2	T205	
7-2	Inside card	1		
7-1	Bearings	28	6002RS	
7	Roller	14		
6-1	Bearings	28	Φ 32	
6	Stalk	28	6002RS	
5-2	Inside card	14		
5-1	Bearings	2	Φ 62	
5	Stalk	2	6206	
4-2	Inside card	1		
4-1	Bearings	1	Φ 22	
4	Roller	1		
3-1	Inside card	1	Φ 22	
3	Bearings	2		
2-1	Inside card	2	608	
2	Bearings	2		
1	Bearings	2	FA205	
Preface number	Name	Quantity	Material specification	Remarks
Draw		Date	AUTOMATIC FOLDER GLUER MACHINE	
Check figures		Date		
Clamping unit	Comparison	Weight	Total page	ZH-1000FT-05
	1:20		Several page	

Circuit Diagram of 1000 F Automatic Folder Gluer Machine



breaker	2P25A	1P10A
contactor	AC220V	
inveter	2.2KW	180W
motor	2.2KW	180W

借 (通) 用	
件 登 记	
登 记	
旧底图总号	
旧底图总号	
底 图 总 号	
底图总号	
签 字	
签 字	
日 期	
签 字 日 期	
档案员	日期
档案员	日期